

DATASHEET

Name:
Type:
Designed by:

NIGHT BIRDS EXTERIOR
Pendant Light
Boris Klimek



DESCRIPTION

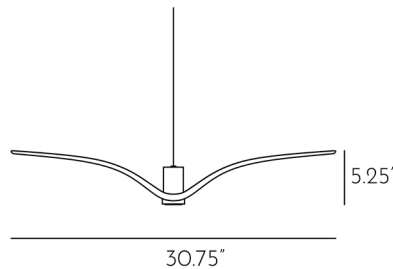
Inspired by the abandon and freedom of bird flight. Night Birds differ from the other collections in the unique technology applied in production, which involves melting glass into a mold and then bending it. The process makes it possible to instill delicate nuances in the shape of the wings and achieve a coloration of the glass that is different and wholly unique each time. The light have been modified to comply with the IP54 rating for outdoor use.

TECH. DESCRIPTION

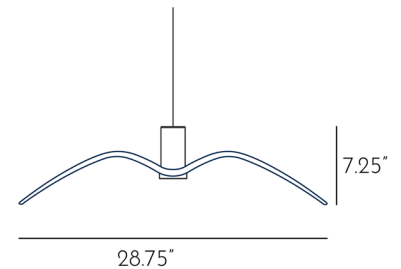
The technologies applied in the Night Birds collection are based on the principles of recycling, sustainability and eco-friendly production. The base material used in making the lights is the waste glass generated in the production of other collections. The recycled glass material is subjected to several stages of processing combining traditional and modern glassmaking techniques. The light comprises a metal body with GZ10 socket, a dural cap, silicone power cord, and a stainless-steel ceiling canopy. The glass component is suspended from the metal body.



CERTIFICATES



Product ID: PC1111



Product ID: PC1112

CONSTRUCTION SPECIFICATIONS

Weight: 3 kg
Construction material: Glass, metal
Cord Length: 2,000 mm
Mounting: Ceiling
Environment: Outdoor

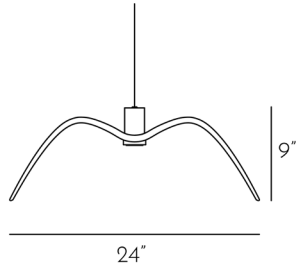
3 kg
Glass, metal
2,000 mm
Ceiling
Outdoor

ELECTRICAL SPECIFICATIONS

Input voltage [V]: 230 V
Frequency [Hz]: 50-60 Hz
Max. power [W]: 10 W
Coverage IP: 54
Socket: GZ10
Light source: -
Energy class: A+ to B depending on light source

230 V
50-60 Hz
10 W
54
GZ10
-
A+ to B depending on light source





Product ID: PC1113

CONSTRUCTION SPECIFICATIONS

Weight:	2 kg
Construction material:	Glass, metal
Cord Length:	2,000 mm
Mounting:	Ceiling
Environment:	Outdoor

ELECTRICAL SPECIFICATIONS

Input voltage [V]:	230 V
Frequency [Hz]:	50-60 Hz
Max. power [W]:	10 W
Coverage IP:	54
Socket:	GZ10
Light source:	-
Energy class:	A+ to B depending on light source

LED SOURCE

Socket	GU10
Type	LED
Lamp wattage [W]	6.5 W
Input voltage [V]	220-240 VAC
Energy class	A+
Flux [lm]	336 lm
Light colour [K]	2700K
CRI	90+
Lifespan [h]	25,000 hr
Dimmable	yes
Dimensions h x w [mm]	55 x 50 mm



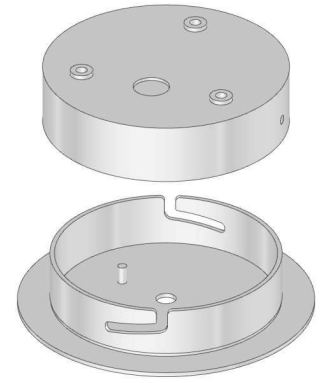
CM 9963

CEILING CANOPY

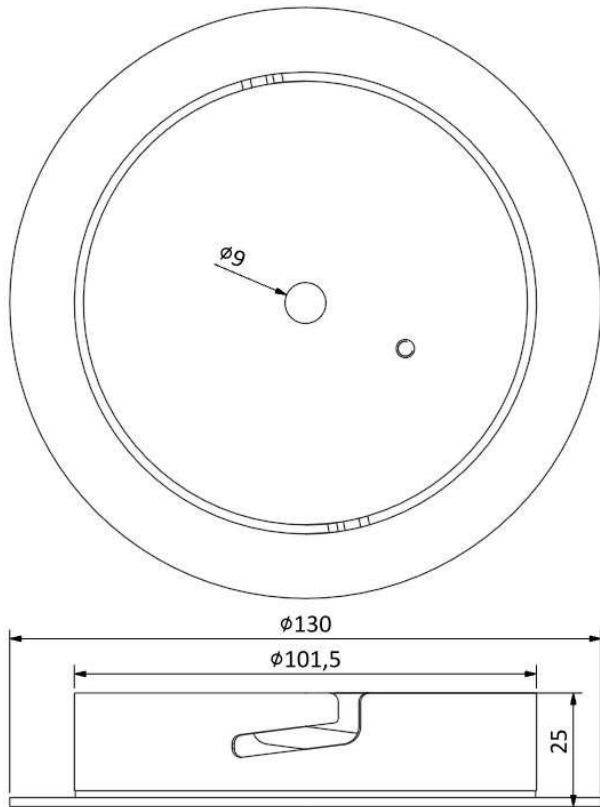
Dimensions \varnothing x w [in/mm] 5.25" x 1" / 130 x 25 mm

Weight [kg] 0.6 kg

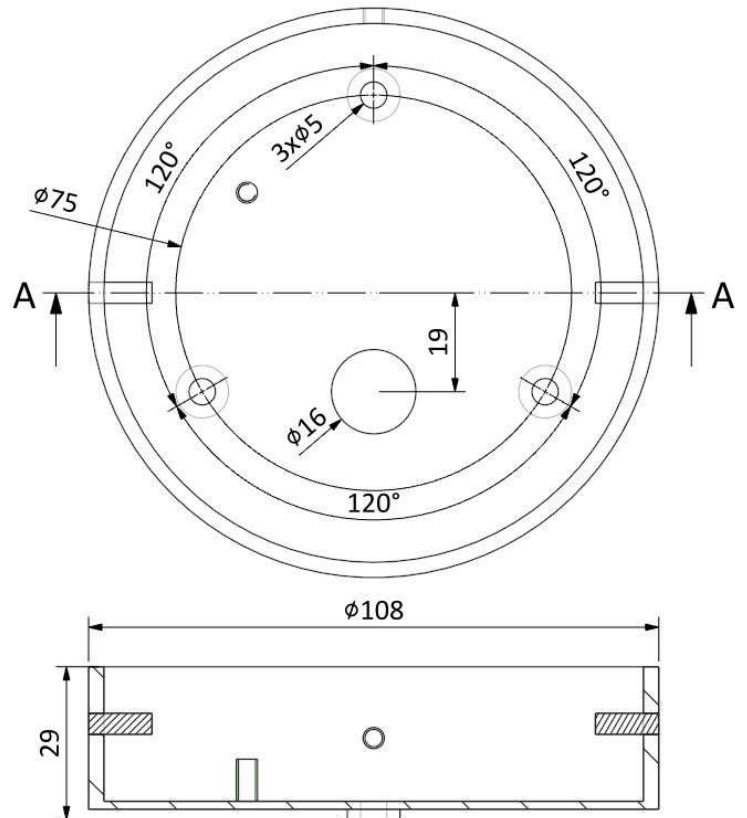
Material Stainless steel



Drawing



Canopy bracket



PRODUCT DETAILS

Glass Colour

Opal - Opaque glass - massif	CGC772
Smoke grey - massif	CGC882
Smoke grey BROKISGLASS matte	CGC51480
Triplex opal BROKISGLASS matte	CGC1478

Body Finish

Silver anodized	CCS1917
Black anodized	CCS1948

Canopy Finish

Brushed stainless steel	CCC974
-------------------------	--------

Cable Colour

Silicone cable - black	CECL2758
Silicone cable - white	CECL2757

Recommended Bulbs

230V, GU10, 6.5W, 2700K, DIM	CEB2761
------------------------------	---------